

E2xB05 Xenon Strobe Beacon

The hazardous area E2xB05 Xenon strobe beacon is ATEX certified for Zone 2 applications and also UL approved for Class I Div 2 applications.

The E2xB05 is a 5 Joule Xenon strobe beacon with a 1Hz (60 fpm) flash rate.

The E2x range features enclosures manufactured from lightweight, high performance PPS which, with its corrosion proof properties, is suitable for the harshest of environments.

Part codes:

Part Code: Classification:

ATEX version:

E2xB05EG**	II 3G EEx nA nL IIC T2 (Tamb -20°C to +55°C) II 3G EEx nA nL IIC T3 (Tamb -20°C to +40°C)
------------	----------------------------------------------------------------------------------------------

UL version:

E2xB05UL**	Class I, Div 2, Grps A,B,C,D T2D (215°C) at +55°C Class I, Div 2, Grps A,B,C,D T3 (200°C) at +40°C Class II, Div 2, Grps F & G T5 (100°C) at +55°C Class II, Div 2, Grps F & G T6 (85°C) at +40°C Class III, Div 1, T5 (100°C) at +55°C Class III, Div 1, T6 (85°C) at +40°C
------------	---------------------------------------------------------------------------------------------------------------------------------------------------------------------------------------------------------------------------------------------------------------------------------------------

** = Voltage & lens colour reference:

Voltage options: 12DC, 24DC, 48DC, 115AC, 230AC

Lens colour options: -AM (Amber)
-BL (Blue)
-CL (Clear)
-GN (Green)
-RD (Red)
-YW (Yellow)

e.g: E2xB05EG115AC-AM

Replacement Xenon flash tube: FTASSYE2X

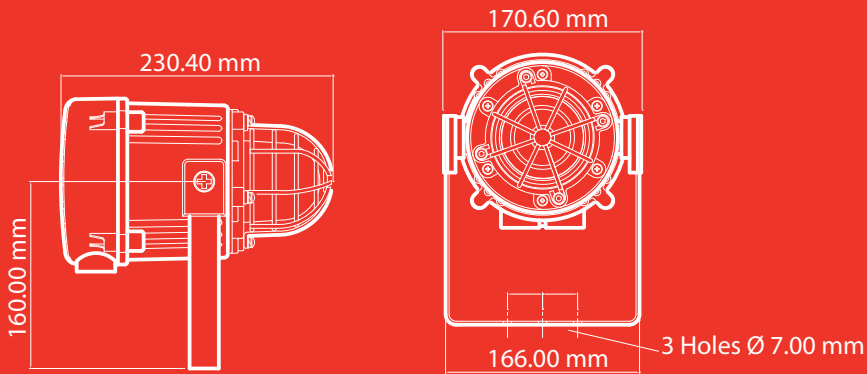
Features:

- Very large termination area.
- Ratchet adjustable stainless steel 'U' bracket.
- Stainless Steel dome guard as standard
- Xenon tube mechanically secured against vibration/shock.
- User replaceable Xenon tube assembly.

Approvals:

- ATEX certificate: DEMKO 06 ATEX 0421554, EN 50021: 1999
- UL File ref: E245313



**Specification:**

Energy:	5 Joules (5Ws)
Flash rate:	1Hz (60 fpm)
Peak Candela:	31,950 cd
Effective Intensity cd:	101 cd*
Lens colours:	Amber, Blue, Clear, Green, Red & Yellow
Voltages DC:	12vdc; 24vdc; 48vdc
Voltages AC:	115vac; 230vac
Ingress protection:	ATEX: IP66 & IP67 UL: Type 4, 4X & 13
Housing material:	UL94V0 PPS & ABS
ATEX cable entries:	2 x M20 ISO cable gland entries - with 1 blanking plug.
UL cable entries:	1 x 1/2" NPT cable gland entry - with 0.5m flying leads.
Terminals (ATEX):	0.5 to 4.0mm ² - In & Out
Weight :	1.48kg

Current consumption:

Version:	Voltage range:	Current:
12V dc	10-14V dc	520mA
24V dc	20-28V dc	275mA
48V dc	42-58V dc	145mA
115V ac	50/60Hz	+/-10% 80mA
230V ac	50/60Hz	+/-10% 30mA

Effective Candela lens colour factor:

Amber	Blue	Clear	Green	Red	Yellow
0.51	0.12	1.00	0.49	0.15	0.86